



Diamond Wall Pack



- Wattage: 40W, 80W, and 100W
- Long life: Average life of 100,000 hours
- High index, CRI: 85; Makes colors look more true and vibrant
- Vibration resistant: electrodeless design allows for use in high vibration applications
- Instant on and Instant restrike
- Applications: Commerical buliding and warehouses

Specification

Induction Lamp

| Wattage (W) | Luminance (LM) | CRI | Color temperature (Kelvin) | Average lifetime (Hours) |
|-------------|----------------|-----|----------------------------|--------------------------|
| 40 | 3,400 | 85 | 5,000 | 100,000 |
| 80 | 6,800 | 85 | 5,000 | 100,000 |
| 100 | 8,500 | 85 | 5,000 | 100,000 |

Driver

| Wattage (W) | Input voltage range (VAC) | Input current (A) | Input frequency | Power factor | Operating temp | Input power (W) |
|-------------|---------------------------|-------------------|-----------------|--------------|----------------|-----------------|
| 40 | 120-277 | 0.38-0.17 | 50-60Hz | 0.98 | -30 to122°F | 45 |
| 80 | 120-277 | 0.74-0.32 | 50-60Hz | 0.98 | -30 to122°F | 88 |
| 100 | 120-277 | 0.93-0.40 | 50-60Hz | 0.98 | -30 to122°F | 110 |

Housing

- Die cast aluminum casing with powder coat carbon gray finish will withstand the elements
- Prismatic glass
- Heavy gauge cold rolled steel reflector for optimum performance and life
- Protection class: IP54 (Dust and splashed water)

Ordering Guide

Example: DI-120/277V-080W-5K

| Series | Voltage | Wattage | Kelvin Temp |
|--------|-----------|---------|-------------|
| DI | 120V/277V | | 5K |

040W
080W
100W



164-5489 Byrne Rd
Burnaby, B.C

1-245 Southgate Dr.
Guelph, ON

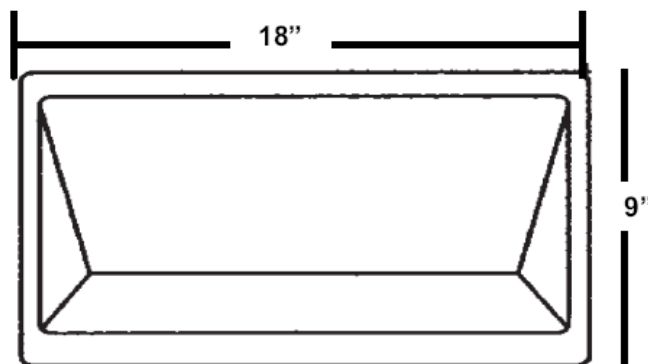
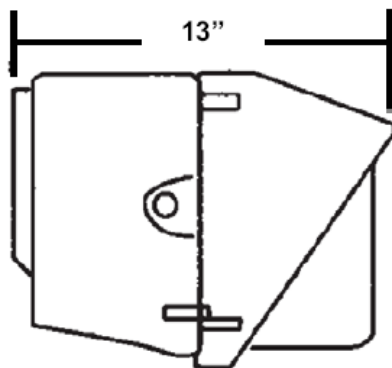
2180 Wible Road
Bakersfield, CA

877-763-7957

www.GreenAndCleanDirect.com

Diamond Wall Pack

Dimensions



Economics

| Induction | | Induction | | Induction | |
|------------------------|----------|------------------------|----------|------------------------|----------|
| Wattage | 40W | Wattage | 80W | Wattage | 100W |
| CRI | 85 | CRI | 85 | CRI | 85 |
| Lamp life | 100,000 | Lamp life | 100,000 | Lamp life | 100,000 |
| Pupil lumens | 5,508 | Pupil lumens | 11,016 | Pupil lumens | 13,770 |
| Design Lumens | 3,400 | Design Lumens | 6,800 | Design Lumens | 8,500 |
| Operating costs | \$473* | Operating costs | \$858* | Operating costs | \$1,156* |
| High Pressure Sodium | | High Pressure Sodium | | Metal Halide | |
| Wattage | 70W | Wattage | 150W | Wattage | 150W |
| CRI | 21 | CRI | 21 | CRI | 65 |
| Lamp life | 24,000 | Lamp life | 24,000 | Lamp life | 11,250 |
| Pupil lumens | 3,591 | Pupil lumens | 9,120 | Pupil lumens | 18,625 |
| Design Lumens | 6,300 | Design Lumens | 16,000 | Design Lumens | 12,500 |
| Operating costs | \$1,128* | Operating costs | \$2,172* | Operating costs | \$2,399* |

*Based on 0.12 KW/H, 10 years of use, 8760 hours/year



164-5489 Byrne Rd
Burnaby, B.C

1-245 Southgate Dr.
Guelph, ON

2180 Wible Road
Bakersfield, CA

877-763-7957

www.GreenAndCleanDirect.com