



Empire Linear Highbay



- Wattage: 400W
- Die cast aluminum with electrostatic painted surface for heat resistance, corrosion-resistance and long life
- Mounting: suspended by pole or chains
- Long life: Average life of 100,000 hours
- Instant on and Instant restrike
- High index, CRI: 85; Makes colors look more true and vibrant
- Vibration resistant: electrodeless design allows for use in high vibration applications

Specification

Induction Lamp

Wattage (W)	Luminance (LM)	CRI	Color temperature (Kelvin)	Average lifetime (Hours)
400	34,000	85	5,000	100,000

Driver

Wattage (W)	Input voltage range (VAC)	Input current (A)	Input frequency	Power factor	Operating temp	Input power (W)
400	120/277	3.57/0.96	50-60Hz	0.98	-30 to 122°F	420

Housing

- Die cast aluminum with powder coat white finish
- Protection class: IP43 (solid bodies diameter 1mm and rainfall)

Ordering Guide

Example: EM-120V-400W-5K

Series	Voltage	Wattage	Kelvin Temp
EM	120V 277V	400	5K



164-5489 Byrne Rd
Burnaby, B.C

1-245 Southgate Dr.
Guelph, ON

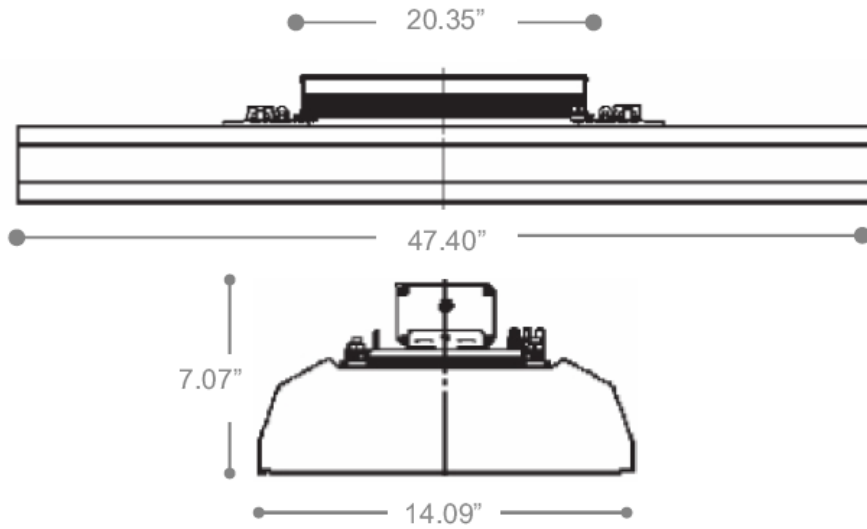
2180 Wible Road
Bakersfield, CA

877-763-7957

www.GreenAndCleanDirect.com

Empire Linear Highbay

Dimensions



Economics

Induction	
Wattage	400W
CRI	85
Lamp life	100,000
Pupil lumens	51,840
Design lumens	32,000
Operating costs	\$4,415*
Metal Halide	
Wattage	1,000W
CRI	65
Lamp life	9,000
Pupil lumens	163,900
Design lumens	110,000
Operating costs	\$11,783*

*Based on 0.12 KW/H, 10 years of use, 8760 hours/year



164-5489 Byrne Rd
Burnaby, B.C

1-245 Southgate Dr.
Guelph, ON

2180 Wible Road
Bakersfield, CA

877-763-7957

www.GreenAndCleanDirect.com