



Ridgeline Highbay 200



- Wattage: 200W
- Long life: Average life of 100,000 hours
- High index, CRI: 85; Makes colors look more true and vibrant
- Vibration resistant: electrodeless design allows for use in high vibration applications
- Instant on/instant restrike
- Applications: Warehouse, Retail, Show Rooms, Repair Facilities

Specification

Induction Lamp

Wattage (W)	Luminance (LM)	CRI	Color temperature (Kelvin)	Average lifetime (Hours)
200	17,000	85	5,000	100,000

Driver

Wattage (W)	Input voltage range (VAC)	Input current (A)	Input frequency	Power factor	Operating temp	Input power (W)
200	120-277	1.77-0.77	50/60Hz	0.98	-30 to 122°F	210

Housing

- Die cast aluminum control gear
- Choice of reflector, 22" clear prismatic, 22" spun aluminum, 30" spun aluminum
- Protection class: IP43 (Solid bodies diameter 1mm and rainfall)

Ordering Guide

Example: RI-120/277V-200W-5K-AL22

Series	Voltage	Wattage	Kelvin Temp	Reflector	Diameter
RI	120V/277V	200W	5K		
				AL: Aluminum CL: Prismatic	22: 22" 30: 30"



164-5489 Byrne Rd
Burnaby, B.C

1-245 Southgate Dr.
Guelph, ON

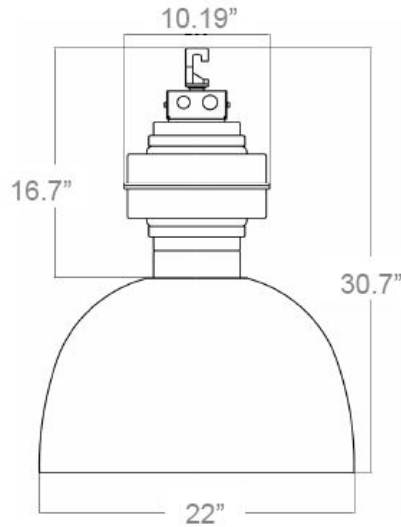
2180 Wible Road
Bakersfield, CA

877-763-7957

www.GreenAndCleanDirect.com

Ridgeline Highbay 200

Dimensions



Economics

Induction	
Wattage	200W
CRI	85
Lamp life	100,000
Pupil lumens	27,540
Design lumens	17,000
Operating costs	\$2,208*
High Pressure Sodium	
Wattage	400W
CRI	21
Lamp life	24,000
Pupil lumens	28,500
Design lumens	50,000
Operating costs	\$5,078*

*Based on 0.12 KW/H, 10 years of use, 8760 hours/year



164-5489 Byrne Rd
Burnaby, B.C

1-245 Southgate Dr.
Guelph, ON

2180 Wible Road
Bakersfield, CA

877-763-7957

www.GreenAndCleanDirect.com