



Ridgeline Highbay 250/300



- Wattage: 250W and 300W
- Long life: Average life of 100,000 hours
- High index, CRI: 85; Makes colors look more true and vibrant
- Vibration resistant: electrodeless design allows for use in high vibration applications
- Instant on and Instant restrike
- Applications: Warehouse, Retail, Show Rooms, Repair Facilities

Specification

Induction Lamp

Wattage (W)	Luminance (LM)	CRI	Color temperature (Kelvin)	Average lifetime (Hours)
250	21,250	85	5,000	100,000
300	25,500	85	5,000	100,000

Driver

Wattage (W)	Input voltage range (VAC)	Input current (A)	Input frequency	Power factor	Operating temp	Input power (W)
250	120-277	2.21-0.96	50/60Hz	0.98	-30 to 122°F	263
300	120-277	2.65-1.15	50/60Hz	0.98	-30 to 122°F	315

Housing

- Die cast aluminum control gear painted white
- Spun aluminum reflector. 22" (250W) and 30" (300W)
- Protection class: IP43 (Solid bodies diameter 1mm and rainfall)

Ordering Guide

Example: RI-120/277V-250W-5K-AL22

Series	Voltage	Wattage	Kelvin Temp	Reflector	Diameter
RI	120V/277V	250W 300W	5K	AL: Aluminum	22: 22" 30: 30"



164-5489 Byrne Rd
Burnaby, B.C

1-245 Southgate Dr.
Guelph, ON

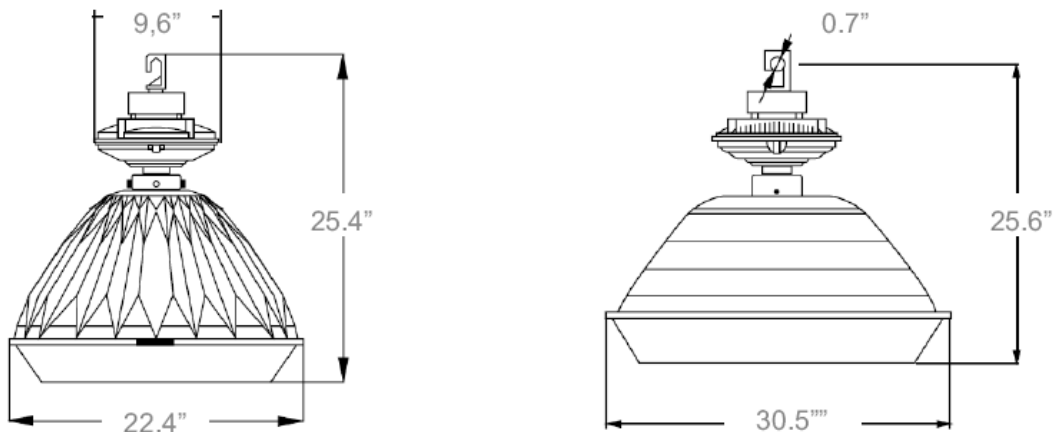
2180 Wible Road
Bakersfield, CA

877-763-7957

www.GreenAndCleanDirect.com

Ridgeline Highbay 250/300

Dimensions



Economics

Induction		Induction	
Wattage	250W	Wattage	300W
CRI	85	CRI	85
Lamp life	100,000	Lamp life	100,000
Pupil lumens	34,425	Pupil lumens	41,310
Design Lumens	21,250	Design Lumens	25,500
Operating costs	\$2,765*	Operating costs	\$3,311*
High Pressure Sodium		High Pressure Sodium	
Wattage	400W	Wattage	400W
CRI	21	CRI	21
Lamp life	24,000	Lamp life	24,000
Pupil lumens	28,500	Pupil lumens	28,500
Design lumens	50,000	Design lumens	50,000
Operating costs	\$5,078*	Operating costs	\$5,078*

*Based on 0.12 KW/H, 10 years of use, 8760 hours/year



164-5489 Byrne Rd
Burnaby, B.C

1-245 Southgate Dr.
Guelph, ON

2180 Wible Road
Bakersfield, CA

877-763-7957

www.GreenAndCleanDirect.com