



Voltage Options: 85-265VAC(Domestic) /265-360VAC(Ind.)

Power Supply Efficiency: >80%

Power Consumption: 12W

PF: >0.95 >= 0.99 when 110V

Total Harmonic Distortion: <30%

## GC900-180 (3' – 900mm)

### Optical Parameters

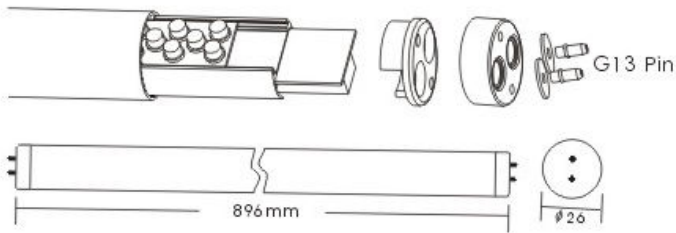
Luminaire Efficiency: >90%

LED Qty: 180

Color-Rendering Index: >75% @5000k

LED Efficiency: >90Lm/w

ColorTemp	Range Ref.	Inventory
Warm white	3100 - 3500K	3000K
Natural white	5000 - 5500K	5000K
Cool white	7000K - 8500k	7000K
Lens Available	Clear	Wave



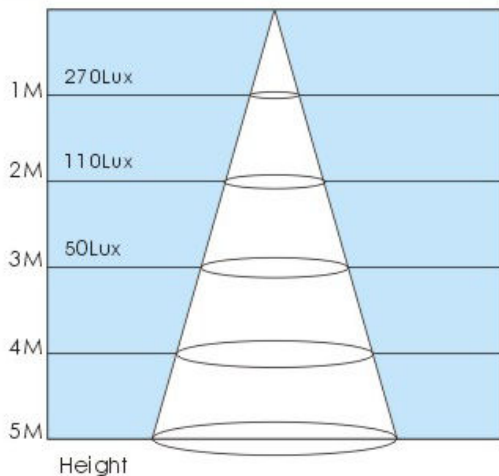
Patented Enhanced Rigid Structure and Thermal Treatment

### MAIN DATA

#### LUX

Test condition

Total Dark Room  
Room Temperature  
Everfine Lux Meter



#### Total Flux

Min 960      Max 1150

Tested by Everfine 2meter photometric sphere

### Other Parameters



Product Patent: yes

Operating Temperature (Humidity): 20°C-40°C (15-70%)

Stock Environment Temperature: 0-45°C

Dimension: Φ26 x L896mm

Main Material: Aluminum Alloy+PC

Net Weight:      kg

IP Rating: IP40

Life Span: 50,000hrs or 10 Years

